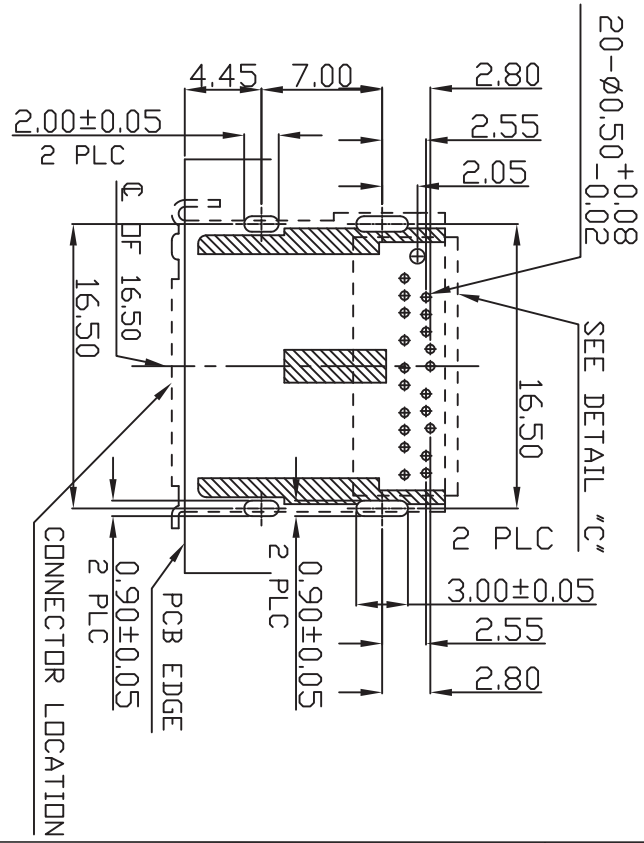
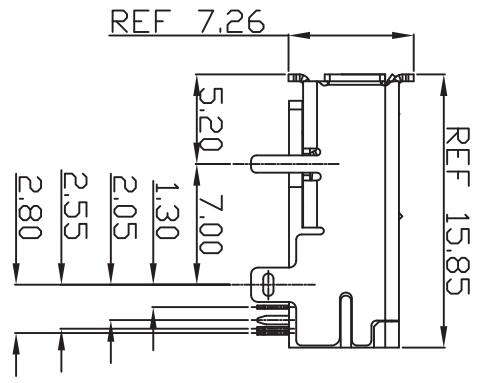
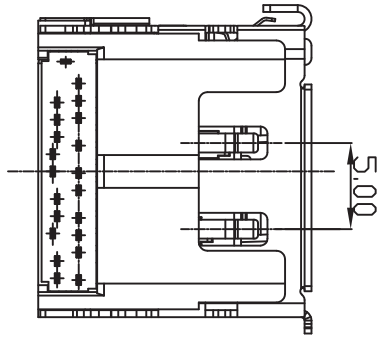
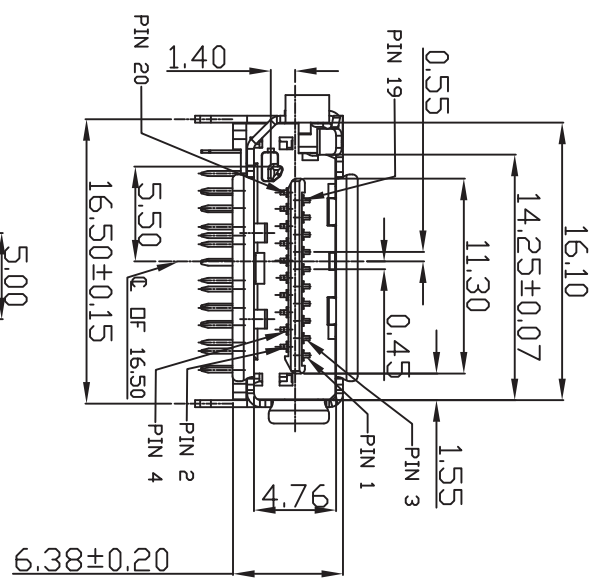
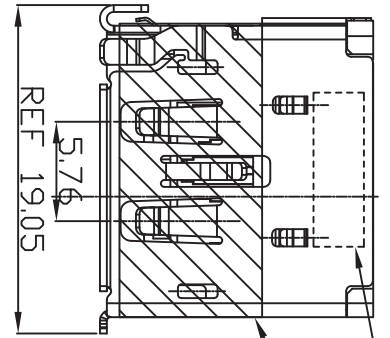


NUMBER

3RD ANGLE PROJECTION

METRIC

PRINT DIST  
DW DIMENSIONS IN MILLIMETERS. DO NOT SCALE PRINT.



RECOMMENDED P.C.B.LAYOUT (THK=1.20MM)

TOP VIEW (TOLERANCES,G ±0.05mm)

TOLERANCES UNLESS OTHERWISE SPECIFIED

0	PLC	±
1	PLC	±0.08
2	PLC	±0.25
3	PLC	±0.13
ANGLES 25°		

SEE NOTE

FINISH

SEE NOTE

REV	REVISION RECORD	ECN	SD	AV	REJECT
LTR			DWN	CHK	DATE
0	-	-			

**DLOCK**  
we move the world

Item no. **65286**

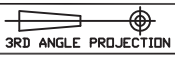
Barcode: 4043619652860

File: 87743

ROHS

8 7 C 6 5 4 3 2 1 CUSTOMER DRAWING

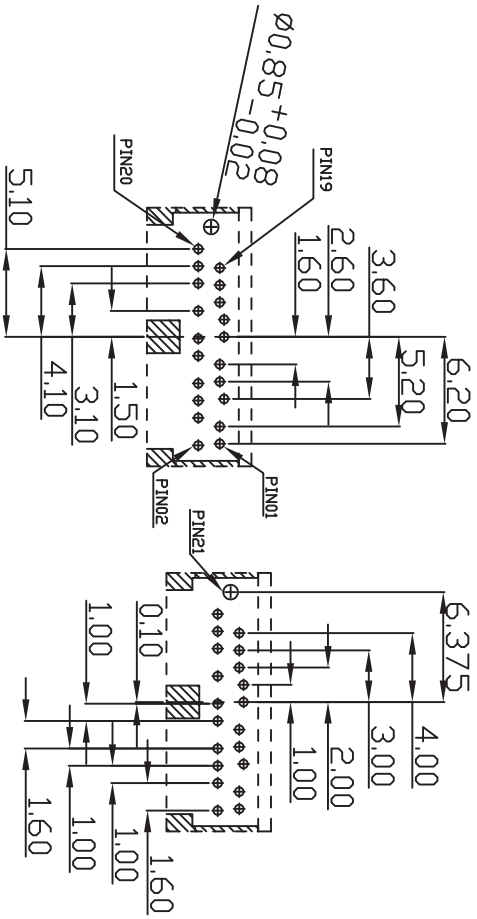
NUMBER



METRIC

PRINT DIST  
DW DIMENSIONS IN MILLIMETERS. DO NOT SCALE PRINT.

NOTE: 1.MATERIAL:  
(A):HOUSING: THERMOPLASTIC. HIGH TEMP.  
(P)OLYPLASTICS E1301,UL94V-0;  
(C):CONTACTS: ALLOY COPPER,  
(B):SHELL:PHOSPHOR BRONZE,  
(D):LATCH:STEEL,  
(E):DETAIL PIN:PHOSPHOR BRONZE,  
2.FINISH:  
CONTACT:  
GOLD PLATING ON CONTACT AREA.  
2.54um<100 MIRCD> MIN. TIN PLATING ON SOLDER TAILS,  
1.27um<50 MIRCD> MIN. NICKEL UNDER PLATING OVER ALL.  
SHELL:  
1.27um<50 MIRCD> MIN. NICKEL OVERALL.  
DETAIL PIN:  
1.27um<50 MIRCD> MIN. NICKEL OVERALL.



CONNECTOR WIRE ASSIGNMENT FOR HDMI

PIN	SIGNAL NAME
1	TMDS Data2+
2	TMDS Data2 Shield
3	TMDS Data2-
4	TMDS Data1+
5	TMDS Data1 Shield
6	TMDS Data1-
7	TMDS Data0+
8	TMDS Data0 Shield
9	TMDS Data0-
10	TMDS Clock+
11	TMDS Clock Shield
12	TMDS Clock-
13	CEC
14	reserved (in cable but N.C. on device)
15	SCL
16	SDA
17	DDC/CEC GROUND
18	+5V Power
19	Hot Plug Detect

CONNECTOR WIRE ASSIGNMENT FOR DISPLAYPORT

PIN	SIGNAL NAME
1	ML_LANE 0(p)
2	GND
3	ML_LANE 0(r)
4	ML_LANE 1(p)
5	GND
6	ML_LANE 1(r)
7	ML_LANE 2(p)
8	GND
9	ML_LANE 2(r)
10	ML_LANE 3(p)
11	GND
12	ML_LANE 3(r)
13	GND
14	GND
15	AUX CH (p)
16	GND
17	AUX CH (r)
18	Hot Plug Detect
19	Return
20	DP_PWR
21	DETECT PIN

TOLERANCES UNLESS OTHERWISE SPECIFIED  
0 PLG ±.038  
1 PLG ±0.025  
2 PLG ±0.013  
ANGLES 25°  
MATERIAL  
SEE NOTE

SEE NOTE

FINISH  
SEE NOTE

LTR	REVISION RECORD	ECN	DVN	AV	SD	88AJAN
0	-	-	CHK	DATE	DATE	2010

Item no. **65286**  
Barcode: 4043619652860

File: 87743